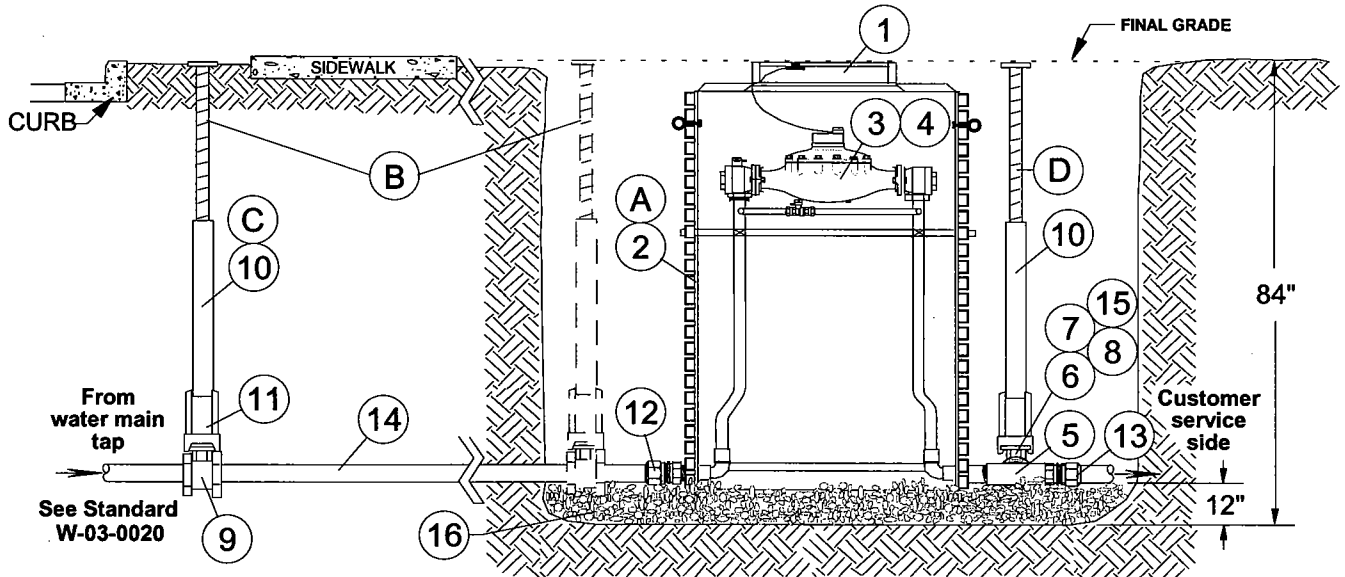


Water T&D Construction Standard

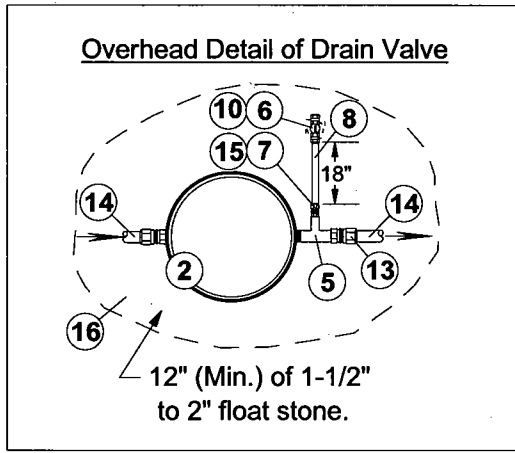
2" OUTDOOR METERING PIT, FOR IRRIGATION SERVICE DISPLACEMENT METER

APPLICATION: Commercial and Industrial irrigation service metering.



INSTALLATION NOTES

- **Customer irrigation services must have an approved backflow prevention device installed, on the outlet side of the metering pit, as stated in the Michigan Plumbing Code & International Plumbing Code section 608.16.5.**
 - For use in green areas only. Does not meet H20 load rating for use in road-way.
 - Install main to curb box as indicated in LBWL Standard W-03-0020.
 - Depth of service shall be 60" to 72" unless otherwise specified by the BOARD ENGINEER. Installation of service and metering pit shall include proper documentation. Refer to LBWL Standard W-03-0005 for documentation of installed water services.
 - LBWL shall install meter upon completion of the metering pit installation and in conjunction with "Turn-On" notice of a Service Request Form.
 - Meter pit shall be laid upon 12" (Min.) of 1-1/2" to 2" float stone. Drainage bed shall extend around 3/4" curb stop.
- (A) Pit setter comes as an assembled unit. Additional material is listed.
- (B) ON/OFF curb box should be located between sidewalk and curb. Alternate location is within the same hole as meter pit.
- (C) After Curb box is installed, raise Curb box to final grade
- (D) Drain valve is require for service line maintenance.



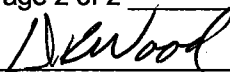
REFER TO MATERIAL LIST ON PAGE 2 OF 2 IN THIS STANDARD.

D. Wood

B. McLeod

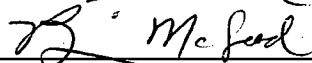
MATERIALS FOR 2" OUTDOOR METER SETTING			
REF	ITEM NO.	QTY	DESCRIPTION
①	30-08889	1	Cover, Monitor For 1-1/2" & 2" Pit Setters
②	30-09026	1	Pit Setter, 2" Irrigation, Water Metering,
③	*30-12578	1	Meter, 2" SR TR/PL with Flanged Ends
④	*30-37111	2	Bolt & Gasket Set, 2" Flanged Meter
⑤	30-33452	1	Tee, 2" F.I.P. x 2" F.I.P. x 1" F.I.P., brass
⑥	30-05680	1	Curb Stop, 3/4" C.T.S. Comp. Both ends
⑦	30-25314	2	Coupling, 3/4" CTS Comp. x 3/4" M.I.P.
⑧	30-45329	As Req'd	Tube, Copper type "K", 3/4" x 60' roll
⑨	30-06801	1	Curb Stop, 2" C.T.S. Comp. Both ends
⑩	30-00320	2	Curb box complete
⑪	30-00601	1	Curb box enlarged base
⑫	30-26928	1	Coupling, 2" CTS Comp. x 2" F.I.P.
⑬	30-26887	1	Coupling, 2" CTS Comp. x 2" M.I.P.
⑭	30-45402	As Req'd	Tube, Copper type "K", 2" x 20' length
⑮	30-21329	1	Bushing, brass, 1" M.I.P. x 3/4" F.I.P.
⑯	77-60901	As Req'd	Float stone, 1-1/2" to 2"
* Installed by LBWL personnel only			

Manager, System Integrity & Customer Projects



Date: 12/18/03

Manager, Water T&D Resource Center



Date: 12/19/03