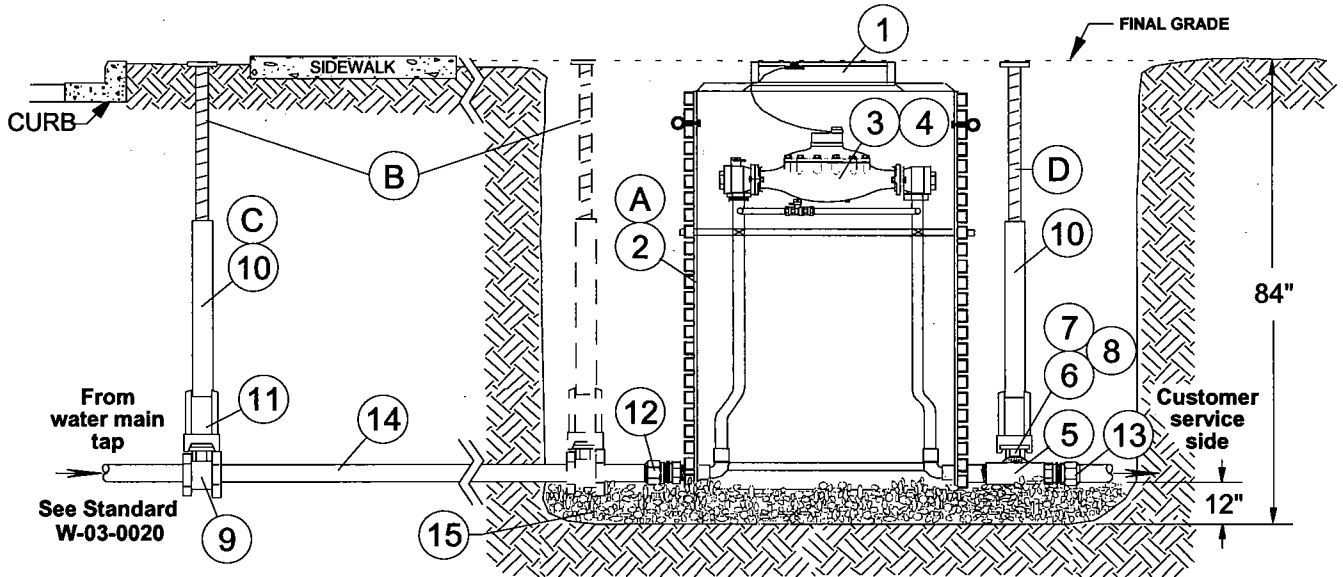




# Water T&D Construction Standard

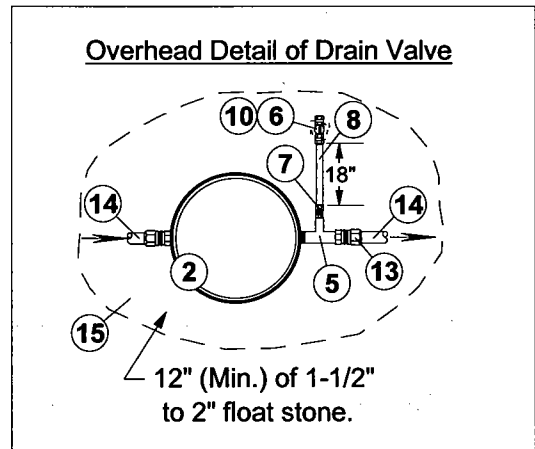
## 1-1/2" OUTDOOR METERING PIT, FOR IRRIGATION SERVICE DISPLACEMENT METER

APPLICATION: Commercial and Industrial irrigation service metering.



### INSTALLATION NOTES

- **Customer irrigation services must have an approved backflow prevention device installed, on the outlet side of the metering pit, as stated in the Michigan Plumbing Code and International Plumbing Code section 608.16.5.**
  - For use in green areas only. Does not meet H20 load rating for use in road-way.
  - Install main to curb box as indicated in LBWL Standard W-03-0020.
  - Depth of service shall be 60" to 72" unless otherwise specified by the BOARD ENGINEER.
  - Installation of service and metering pit shall include proper documentation. Refer to LBWL Standard W-03-0005 for documentation of installed water services.
  - LBWL shall install meter upon completion of the metering pit installation and in conjunction with "Turn-On" notice of a Service Request Form.
  - Meter pit shall be laid upon 12" (Min.) of float stone. Drainage bed shall extend around 3/4" curb stop.
- (A) Pit setter comes as an assembled unit. Additional material is listed.
- (B) ON/OFF curb box should be located between sidewalk and curb. Alternate location is within the same hole as meter pit.
- (C) After Curb boxes is installed, raise Curb boxes to final grade
- (D) Drain valve is require for service line maintenance.

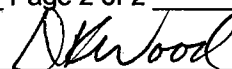


**REFER TO MATERIAL LIST ON PAGE 2 OF 2 IN THIS STANDARD.**

Manager, System Integrity & Customer Projects DK Wood Date: 12/17/03  
 Manager, Water T&D Resource Center B. McLeod Date: 12/19/03

MATERIALS FOR 1-1/2" OUTDOOR METER SETTING			
REF	ITEM NO.	QTY*	DESCRIPTION
①	30-08889	1	Cover, Monitor For 1-1/2" & 2" Pit Setters
②	30-09013	1	Pit Setter, 1-1/2" Irrigation, Water Metering
③	*30-12495	1	Meter, 1-1/2" SR TR/PL with Flanged Ends
④	*30-37108	2	Bolt & Gasket Set, 1-1/2" Flanged Meter
⑤	30-33605	1	Tee, 1-1/2" F.I.P. x 1-1/2" F.I.P. x 3/4" F.I.P., brass
⑥	30-05680	1	Curb Stop, 3/4" C.T.S. Comp. Both ends
⑦	30-25314	1	Coupling, 3/4" CTS Comp. x 3/4" M.I.P.
⑧	30-45329	As Req'd	Tube, Copper type "K", 3/4" x 60' roll
⑨	30-06728	1	Curb Stop, 1-1/2" C.T.S. Comp. Both ends
⑩	30-00320	2	Curb box complete
⑪	30-00601	1	Curb box enlarged base
⑫	30-26564	1	Coupling, 1-1/2" CTS Comp. x 1-1/2" F.I.P.
⑬	30-26551	1	Coupling, 1-1/2" CTS Comp. x 1-1/2" M.I.P.
⑭	30-45387	As Req'd	Tube, Copper type "K", 1-1/2" x 20' length
⑮	77-60901	As Req'd	Float stone, 1-1/2" to 2"
* Installed by LBWL personnel only			

Manager, System Integrity &amp; Customer Projects



Date: 12/17/03

Manager, Water T&amp;D Resource Center



Date: 12/19/03