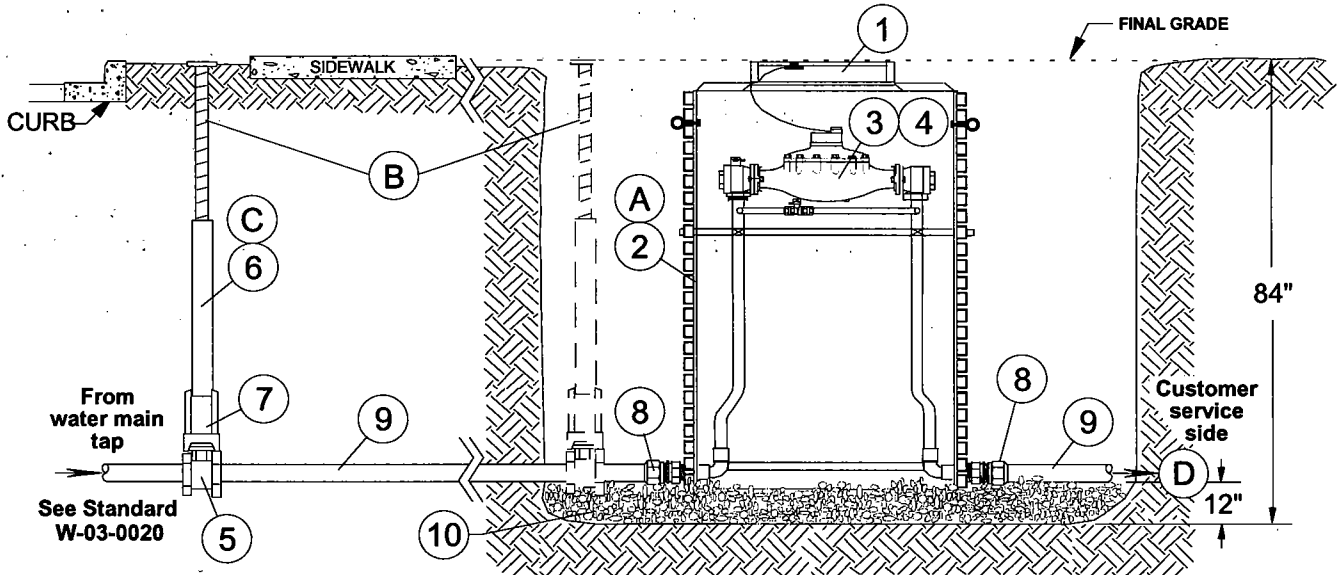


Water T&D Construction Standard

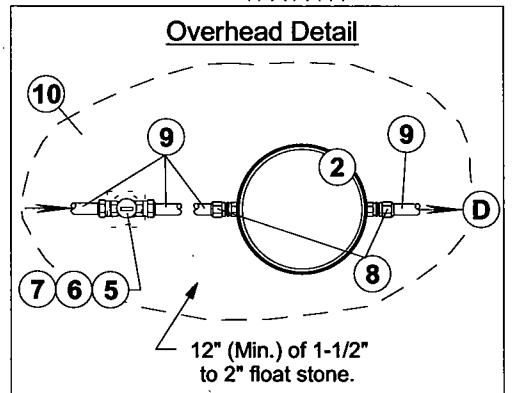
1-1/2" OUTDOOR METERING PIT, FOR DOMESTIC SERVICE DISPLACEMENT METER

APPLICATION: Metering of Commercial and Industrial domestic water service.



INSTALLATION NOTES

- For use in green areas only. Does not meet H20 load rating for use in road-way.
- Install main to curb box as indicated in LBWL Standard W-03-0020.
- Depth of service shall be 60" to 72" unless otherwise specified by the BOARD ENGINEER.
Installation of service and metering pit shall include proper documentation. Refer to LBWL Standard W-03-0005 for documentation of installed water services.
- LBWL shall install meter upon completion of the metering pit installation and in conjunction with "Turn-On" notice of a Service Request Form.
- Meter pit shall be laid upon 12" (Min.) of float stone.
- **Cartridges to be removed from double check**



- (A) Pit setter comes as an assembled unit. Additional material is listed.
- (B) ON/OFF curb box should be located between sidewalk and curb. Alternate location is within the same hole as meter pit.
- (C) After Curb boxes is installed, raise Curb boxes to final grade.
- (D) Customer shall install ON/OFF valve, inside building, at the point where the copper service line enters the building.

MATERIALS FOR 1-1/2" OUTDOOR METER SETTING			
REF	ITEM NO.	QTY*	DESCRIPTION
(1)	30-08889	1	Cover, Monitor For 1-1/2" & 2" Pit Setters
(2)	30-09013	1	Pit Setter, 1-1/2" Irrigation, Water Metering,
(3)	*30-12495	1	Meter, 1-1/2" SR TR/PL with Flanged Ends
(4)	*30-37108	2	Bolt & Gasket Set, 1-1/2" Flanged Meter
(5)	30-06728	1	Curb Stop, 1-1/2" C.T.S. Comp. Both ends
(6)	30-00320	1	Curb box complete
(7)	30-00601	1	Curb box enlarged base
(8)	30-26564	2	Coupling, 1-1/2" CTS Comp. x 1-1/2" F.I.P.
(9)	30-45367	As Req'd	Tube, Copper type "K", 1-1/2" x 20' length
(10)	77-60901	As Req'd	Float stone, 1-1/2" to 2"

* Installed by LBWL personnel only

Manager, System Integrity & Customer Projects DK Wood Date: 12/17/03
 Manager, Water T&D Resource Center B. McLeod Date: 12/19/03