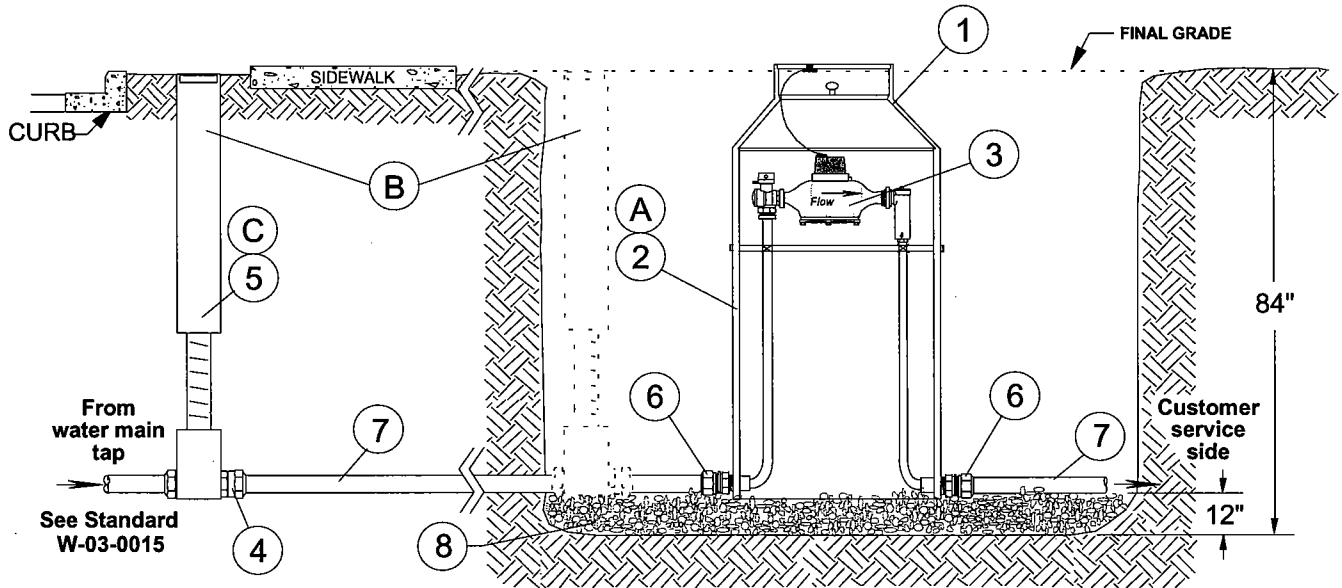


LANSING BOARD OF
WATER & LIGHT

Water T&D Construction Standard

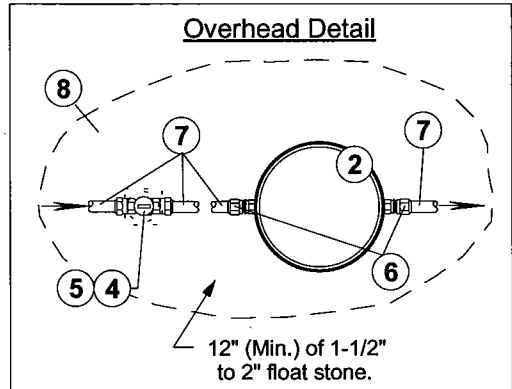
1" OUTDOOR METERING PIT, FOR DOMESTIC SERVICE

APPLICATION; Outdoor metering of residential and commercial domestic water service.



INSTALLATION NOTES

- Install main to curb box service line as indicated in LBWL Standard W-03-0015.
- Depth of service shall be 60" to 72" unless otherwise specified by the BOARD ENGINEER.
Installation of service and metering pit shall include proper documentation. Refer to LBWL Standard W-03-0005 for documentation of installed water services.
- LBWL shall install meter upon completion of the metering pit installation and in conjunction with "Turn-On" notice of a Service Request Form.
- Meter pit shall be laid upon 12" (Min.) of 1-1/2" to 2" float stone.
- Cartridge must be removed from the double check for domestic service applications.



- (A) Pit setter comes as an assembled unit. Additional material is listed. Meter is not included.
- (B) Curb box should be located between sidewalk and road curb. Alternate location is within the same hole as meter pit.
- (C) After curb box is installed, raise curb box to final grade.

MATERIALS FOR 1" OUTDOOR METER SETTING			
REF	ITEM NO.	QTY*	DESCRIPTION
(1)	30-08863	1	Cover, Monitor for 1" pit setters
(2)	30-09000	1	Pit Setter, 1" Irrigation, water metering,
(3)	30-12354	1	Meter, 1" SR II TR/PL
(4)	30-06166	1	Curb stop, 1" C.T.S. Comp. both ends
(5)	30-00320	1	Curb box complete
(6)	30-25583	2	Coupling, 1" CTS Comp. x 1" F.I.P.
(7)	30-45345	As Req'd	Tube, Copper type "K", 1" x 60' length
(8)	non-stock	As Req'd	Float stone, 1-1/2" to 2"

* Required for one complete setting

Director of Engineering *DK Wood* Date: *5/20/05*
 Manager, Water T&D Resource Center *B. McLeod* Date: *5/23/05*