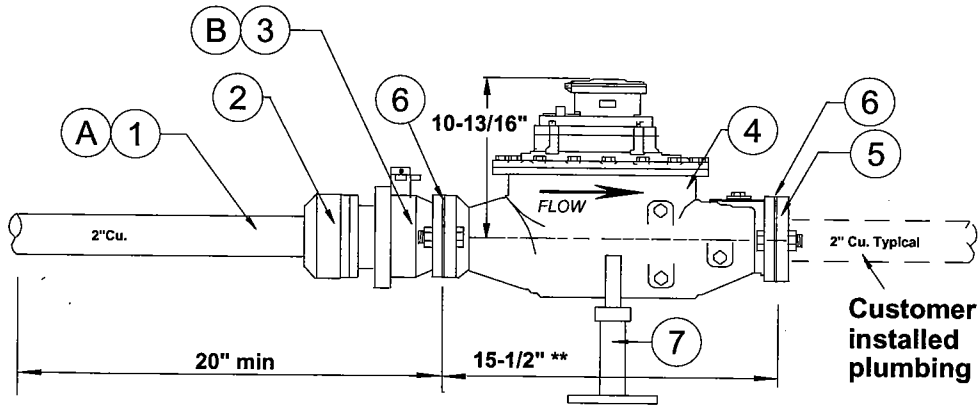


Water T&D Construction Standard

2" METER SETTING - COMPOUND METER

APPLICATION; Commercial and Industrial water metering.



** Allows room for two 1/8" thick gaskets

INSTALLATION NOTES

- Customers plumbing shall include a shut off valve on the outlet side of the meter setting or the water meter will not be installed by LBWL.
- Meter shall be installed by LBWL personnel only.
- Sending wire and touch pad shall be installed per LBWL Standard W-04-0011.
- **Supports are required for all meter installations. Supports shall be made from non-corrosive materials.**

(A) Pipe section preceding the meter must be a minimum of 20" in length in order to provide undisturbed flow of water for accurate metering. Lengths greater than 20" are desirable when area for meter installation allows.

(B) Inlet valve shall be locked in the closed position if no meter is to be installed in the meter setting.

MATERIALS FOR 2" COMPOUND METER SETTING			
REF	ITEM NO.	QTY*	DESCRIPTION
①	30-45402	As Req'd	Tube, Copper Type K, 2" x 20ft.
②	30-26887	1	Coupling, 2" CTS Comp x 2" M.I.P.
③	30-70608	1	Valve, Ball, Straight, 2" Meter FLG x F.I.P.
④	30-14572	1	Meter, 2" Compound
⑤	30-29239	1	Flange, 2" Meter x F.I.P.
⑥	30-37111	2	Bolt and gasket set, 2" flanged meter
⑦	30-09505	1	Meter Support, adjustable

* Required for one complete setting

Director of Engineering DK Wood Date: 8/30/06
 Director of Delivery Michael J. Green Date: 9/5/06