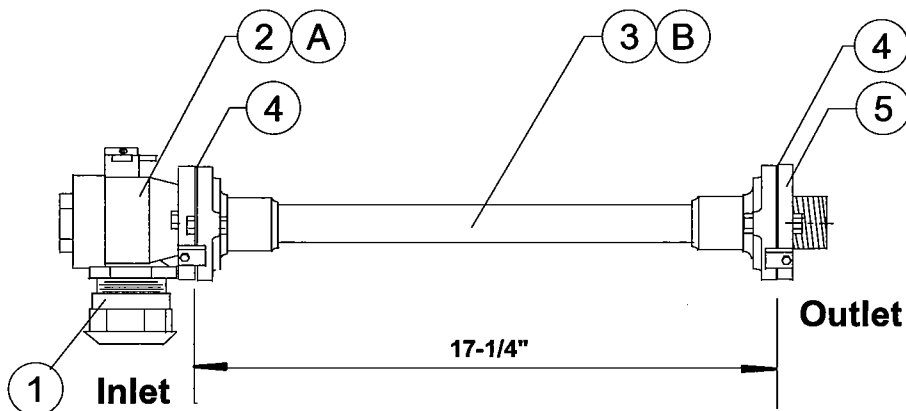


Water T&D Construction Standard

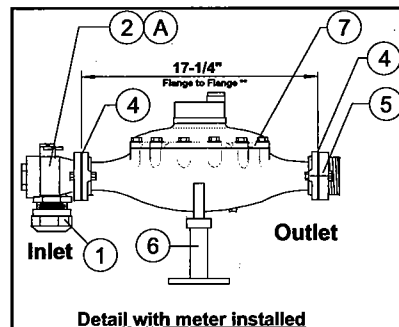
2" METER SET, DISPLACEMENT W / ANGLE VALVE

APPLICATION: Commercial and industrial indoor water metering.



INSTALLATION NOTES

- Customers plumbing shall include a shut off valve on the outlet side of the meter setting or the water meter will not be installed by LBWL.
- Meters shall be installed by LBWL only.
- This complete meter setting, less meter (7), meter idler (3) and meter support (6), can be requisitioned as a boxed set using LBWL Item # 30-24317.
- **Supports are required for all meter installations. Supports shall be made from non-corrosive materials.**



- (A) Inlet valve shall be locked in the closed position if no meter is to be installed in the meter setting.
- (B) Installation of Meter Idler is not permission to use unmeasured water. The Meter Idler is used to aid in the assembly of the Meter setting, and will be removed by the LBWL when the meter is installed.

MATERIALS FOR 1-1/2" DISPLACEMENT METER SETTING			
REF	ITEM NO.	QTY*	DESCRIPTION
(1)	30-26887	1	Coupling, 2" CTS Comp. x 2" M.I.P.
(2)	30-70570	1	Valve, Ball, Angle 2" Meter FLG x F.I.P.
(3)	30-19100	1	Adapter, Meter Idler, 2"
(4)	30-37111	2	Bolt and gasket set, for 2" flanged meter
(5)	30-29239	1	Flange, 2" Meter x F.I.P.
(6)	30-09505	1	Meter Support
(7)	30-12536	1	Meter, 2" SR with Flanged Ends

* Required for one complete setting

Manager, System Integrity & Customer Projects DK Wood Date: 3/28/03
 Manager, Water T&D Resource Center B. McLeod Date: 3/28/03