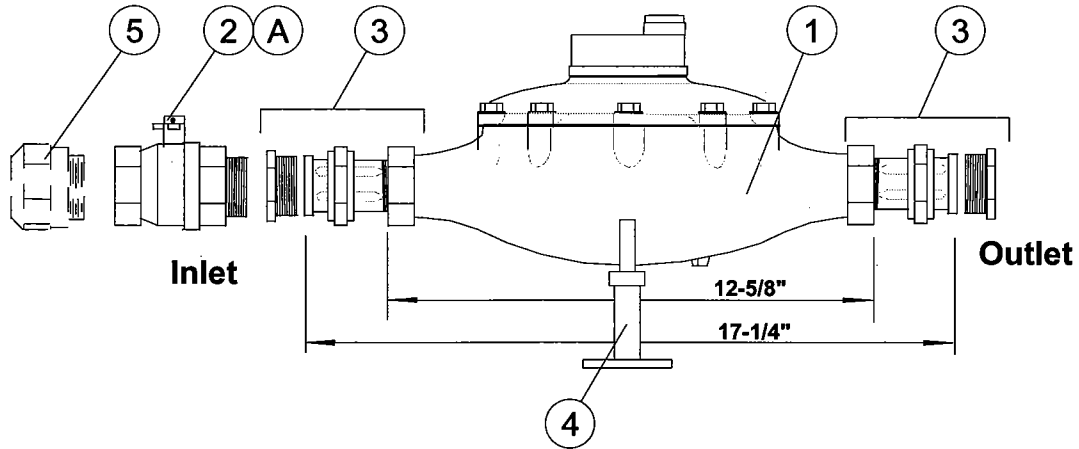


Water T&D Construction Standard

1-1/2" METER SET, DISPLACEMENT TYPE (Threaded ends)

APPLICATION: Maintenance of indoor residential, commercial and industrial water service meters.



INSTALLATION NOTES

- Customers plumbing shall include a shut off valve on the outlet side of the meter setting or the water meter will not be installed by LBWL.
- Meters shall be installed by LBWL only.
- **Supports are required for all meter installations. Supports shall be made from non-corrosive materials.**

(A) Inlet valve shall be locked in the closed position if no meter is to be installed in the meter setting.

MATERIALS FOR 1-1/2" DISPLACEMENT METER SETTING			
REF	ITEM NO.	QTY*	DESCRIPTION
(1)	30-11315	1	Meter, 1-1/2" SR w/ threaded ends
(2)	30-70512	1	Valve, Ball, Straight 1-1/2" M.I.P. x 1-1/2" F.I.P.
(3)	30-19506	2	Connector Set, Meter, 1-1/2"
(4)	30-09505	1	Meter Support
(5)	30-26551	If Req'd	Coupling, 1-1/2" CTS Comp x 1-1/2" M.I.P.
* Required for one complete setting			

Manager, System Integrity & Customer Projects Uk Wood Date: 3/28/03
 Manager, Water T&D Resource Center B McFurd Date: 3/28/03