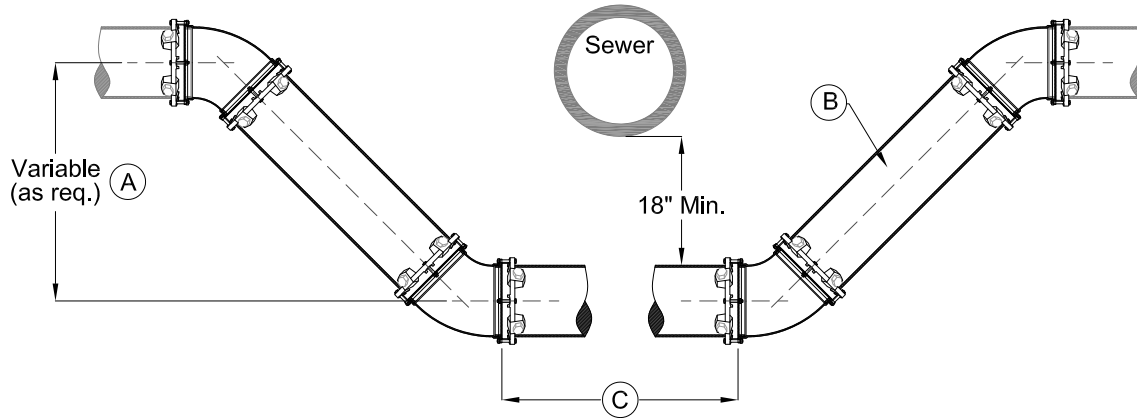




WATER T&D Construction Standard

OFFSETS UNDER SEWERS AND OTHER EXISTING UTILITIES

APPLICATION: Adjusting water main vertically to avoid existing utilities.



INSTALLATION NOTES:

- 18" vertical separation is required above or below sewer.
- Only approved wedge type restraints shall be used when constructing an offset from components.
- Completed offset is to be poly wrapped.
- Refer to Water T&D Construction Standard W-02-0100 for restrained pipe lengths each side of the offset.
- Refer to Water T&D Construction Standard W-10-0005 for proper compaction of backfill material.

- (A) This dimension equals the distance the main is to be offset.
- (B) For pipe size, length and dimensions refer to the appropriate Water T&D Construction Standard listed in the "Materials for Assembled Offsets" table.
- (C) In accordance with the Recommended Standards for Water Works, published by Great Lakes - Upper Mississippi River Board of State and Provincial Public Health and Environmental Managers, commonly known as the "Ten States Standards", one full stick of pipe shall be installed at all sewer crossings.

MATERIALS FOR ASSEMBLED OFFSETS	
PIPE SIZE	WATER T&D CONSTRUCTION STANDARD
3"	W-02-2030
4"	W-02-2040
6"	W-02-2060
8"	W-02-2080
10"	W-02-2100
12"	W-02-2120
14"	W-02-2140
16"	W-02-2160

Manager, Water & Steam Distribution DocuSigned by: <i>Todd Russell</i> B4DABCA8676D459...	Date: 2/9/2022
Director of Water Operations DocuSigned by: <i>Sanjeev Munjarwadi</i> E1B176FA599F48A...	Date: 2/10/2022