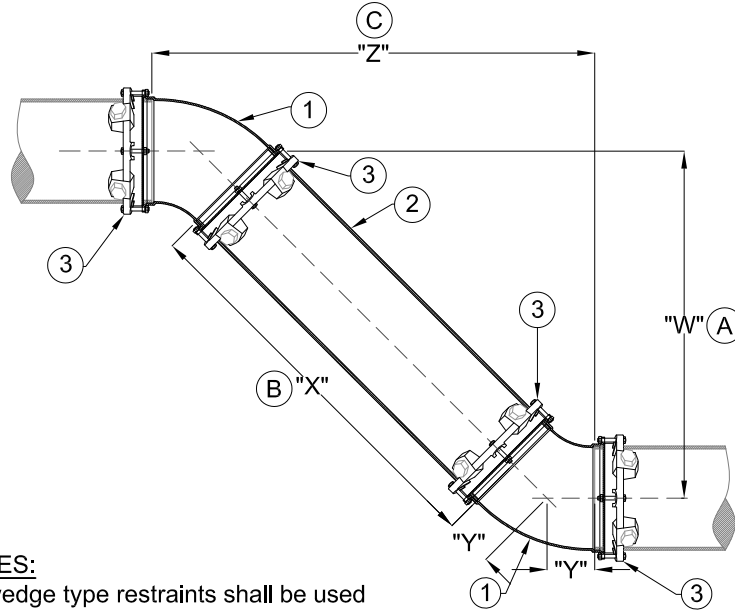




# WATER T&D Construction Standard

## 12" ASSEMBLED OFFSETS

APPLICATION: Adjusting water main horz. or vert. to avoid existing utilities.



**INSTALLATION NOTES:**

- Only approved wedge type restraints shall be used when constructing an offset from components.
- Completed offset is to be poly wrapped.
- Refer to Water T&D Construction Standard W-02-0100 for restrained pipe lengths each side of the offset.
- Refer to Water T&D Construction Standard W-02-2500 for complete offsets under existing sewers and other utilities.

- (A) This dimension equals the distance the main is to be offset.
- (B) This dimension equals the cut length for the pipe.
- (C) This dimension equals the lay length of the offset in the water main.

DIMENSIONS			
"W"	"X"	"Y"	"Z"
24"	23"	5-1/2"	35"
30"	31"	5-1/2"	41"
36"	40"	5-1/2"	47"
42"	48"	5-1/2"	53"
48"	57"	5-1/2"	59"
54"	65"	5-1/2"	65"
60"	74"	5-1/2"	71"

MATERIALS			
REF	ITEM NO.	QTY*	DESCRIPTION
1	36-03080	2	BEND, 12" MJ X MJ 45° COMPACT
2	37-11246	AS REQ'D.	PIPE, DUCTILE IRON, 12" SJ
3	36-23558	4	GLAND, RETAINER, WEDGE TYPE, 12"
4	37-00037	AS REQ'D.	PIPE, ENCASEMENT, 12-14" PIPE

\* Required for making one offset.

Manager, Water & Steam Distribution Date: 2/9/2022  
 DocuSigned by: *Todd Russell*  
 BADA8CA6678D459...

Director of Water Operations Date: 2/10/2022  
 DocuSigned by: *Sanyee Mungarwadi*  
 E1B176FA599F49A...