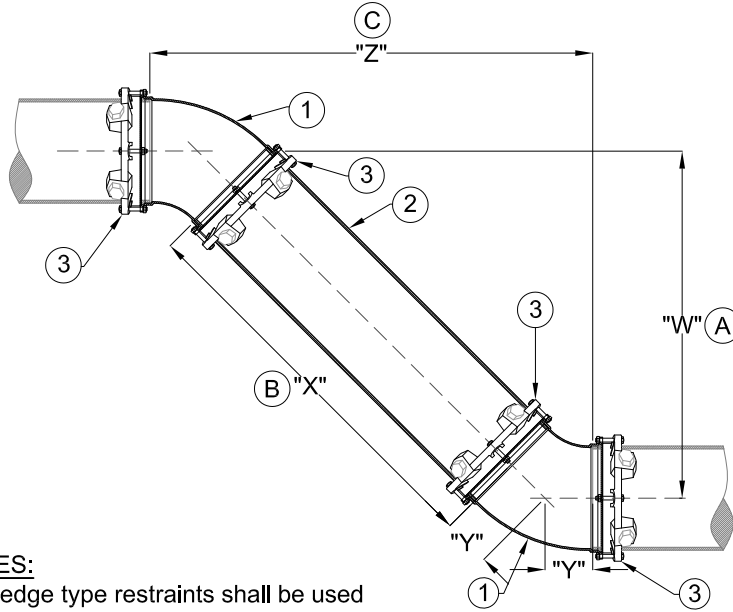




WATER T&D Construction Standard

10" ASSEMBLED OFFSETS

APPLICATION: Adjusting water main horz. or vert. to avoid existing utilities.



INSTALLATION NOTES:

- Only approved wedge type restraints shall be used when constructing an offset from components.
- Completed offset is to be poly wrapped.
- Refer to Water T&D Construction Standard W-02-0100 for restrained pipe lengths each side of the offset.
- Refer to Water T&D Construction Standard W-02-2500 for complete offsets under existing sewers and other utilities.

- (A) This dimension equals the distance the main is to be offset.
- (B) This dimension equals the cut length for the pipe.
- (C) This dimension equals the lay length of the offset in the water main.

DIMENSIONS			
"W"	"X"	"Y"	"Z"
24"	24"	5"	34"
30"	32"	5"	40"
36"	41"	5"	46"
42"	49"	5"	52"
48"	58"	5"	58"
54"	66"	5"	64"
60"	75"	5"	70"

MATERIALS			
REF	ITEM NO.	QTY*	DESCRIPTION
1	36-02926	2	BEND, 10" MJ X MJ 45° COMPACT
2	37-11204	AS REQ'D.	PIPE, DUCTILE IRON, 10" SJ
3	36-23545	4	GLAND, RETAINER, WEDGE TYPE, 10"
4	37-00011	AS REQ'D.	PIPE, ENCASEMENT, 8-10" PIPE

* Required for making one offset.

Manager, Water & Steam Distribution *Todd Russell*

Date: 2/9/2022

Director of Water Operations *Sanjeev Munjarwadi*

Date: 2/10/2022