

4/2021

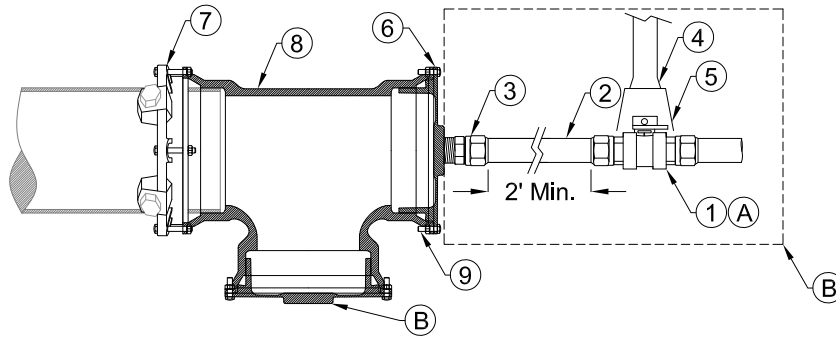
W-02-1050



# WATER T&D Construction Standard

## DEAD-END MAIN FOR RESIDENTIAL CUL-DE-SACS

APPLICATION: Capping of ductile & cast iron water main dead-ends feeding residential cul-de-sacs.



### INSTALLATION NOTES:

- The 2" curb stop will be used for the "ON/OFF" operation of the cul-de-sac 2" copper loop. Use only LBWL approved utility grade curb stops.
- Poly wrap past the end of the plug. Tape end so that poly wrap is secure.
- Appropriate lengths of pipe shall be restrained ahead of the dead-end. Restraints up-stream of the dead-end must be verified. Refer to Water T&D Construction Standard W-02-0100 for approved restraint per pipe diameter and configuration. If up-stream restraints cannot be verified, refer to LBWL Engineer for alternate restraint methods.

(A) The curb stop and curb box shall be located between the curb and the sidewalk or within the utility easement. Curb stop shall not be installed in the sidewalk area or in a driveway.

(B) The same configuration must be installed on both branches of the tee.

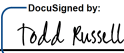
MATERIALS REQUIRED FOR ALL SIZES			
REF	ITEM NO.	QTY	DESCRIPTION
1	30-06801	2	CURB STOP, 2" CTS COMP, BOTH ENDS
2	30-45402	4FT	TUBE, COPPER TYPE K, 2"
3	30-26887	2	COUPLING, 2" CTS COMP X 2" M.I.P.
4	30-00320	2	CURB BOX, COMPLETE
5	30-00601	2	CURB BOX, ENLARGED BASE

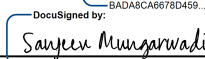
MATERIALS 6"			
REF	ITEM NO.	QTY	DESCRIPTION
6	36-25804	2	PLUG, 6" MJ WITH 2" TAP
7	36-23529 OR 36-23730	1	GLAND, RETAINER, WEDGE TYPE, 6" OR GLAND, RETAINER, WEDGE TYPE, 6" (OS)
8	36-50406	1	TEE, 6" X 6" MJ X MJ COMPACT
9	30-35427	2	GASKET & BOLT SET, 6" FLANGE

MATERIALS 8"			
REF	ITEM NO.	QTY	DESCRIPTION
6	36-25846	2	PLUG, 8" MJ WITH 2" TAP
7	36-23532 OR 36-23743	1	GLAND, RETAINER, WEDGE TYPE, 8" OR GLAND, RETAINER, WEDGE TYPE, 8" (OS)
8	36-50448	1	TEE, 8" X 8" MJ X MJ COMPACT
9	Non-Stock	2	GASKET & BOLT SET, 8" FLANGE

MATERIALS 12"			
REF	ITEM NO.	QTY	DESCRIPTION
6	36-25945	2	PLUG, 12" MJ WITH 2" TAP
7	36-23558 OR 36-23769	1	GLAND, RETAINER, WEDGE TYPE, 12" OR GLAND, RETAINER, WEDGE TYPE, 12" (OS)
8	36-50521	1	TEE, 12" X 12" MJ X MJ COMPACT
9	Non-Stock	2	GASKET & BOLT SET, 12" FLANGE

1 of 1

Manager, Water & Steam Distribution  Date: 2/9/2022

Director of Water Operations  Date: 2/10/2022