

4/2021

W-02-1040



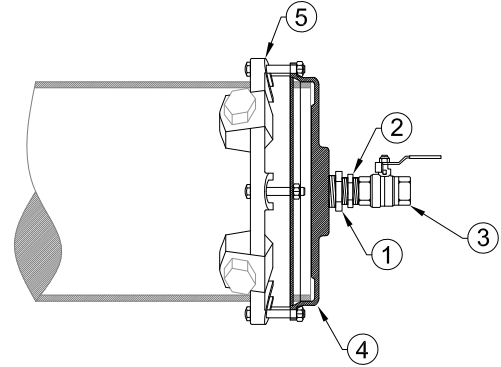
# WATER T&D Construction Standard

## DEAD-END MAIN WITH CAP

APPLICATION: Permanent and temporary capping of water main and dead-ends.

### INSTALLATION NOTES:

- Pressure relief/flushing valve shall be part of all dead-end caps.
- The 3/4" ball valves are required for the purpose of flushing the line and relieving pressure during line extensions.
- Poly wrap past the end of the main & ball valve. Tape end so that poly wrap is secure.
- Appropriate lengths of pipe shall be restrained ahead of the dead-end. Restraints up-stream of the dead-end must be verified. Refer to Water T&D Construction Standard W-02-0100 for proper restraint per pipe diameter & configuration. If up-stream restraints cannot be verified, refer to Engineer for alternate restraint methods.



MATERIALS REQUIRED FOR ALL SIZES			
REF	ITEM NO.	QTY*	DESCRIPTION
1	30-21824	1	BUSHING, BRASS 3/4" F.I.P. X 2" M.I.P
2	30-31247	1	NIPPLE, BRASS 3/4" X CLOSE
3	30-70187	1	VALVE, BALL, STR, 3/4" F.I.P X 3/4" F.I.P

MATERIALS 4"			
REF	ITEM NO.	QTY	DESCRIPTION
4	36-06049 OR 36-06052	1	CAP, 4" MJ, WITH 2" TAP OR CAP, 4" MJ (OS) WITH 2" TAP
5	36-23516 OR 36-23727	1	GLAND, RETAINER, WEDGE TYPE, 4" OR GLAND, RETAINER, WEDGE TYPE, 4" (OS)

MATERIALS 6"			
REF	ITEM NO.	QTY	DESCRIPTION
4	36-06065 OR 36-06078	1	CAP, 6" MJ, WITH 2" TAP OR CAP, 6" MJ (OS) WITH 2" TAP
5	36-23529 OR 36-23730	1	GLAND, RETAINER, WEDGE TYPE, 6" OR GLAND, RETAINER, WEDGE TYPE, 6" (OS)

MATERIALS 8"			
REF	ITEM NO.	QTY	DESCRIPTION
4	36-06081 OR 36-06106	1	CAP, 8" MJ, WITH 2" TAP OR CAP, 8" MJ (OS) WITH 2" TAP
5	36-23532 OR 36-23743	1	GLAND, RETAINER, WEDGE TYPE, 8" OR GLAND, RETAINER, WEDGE TYPE, 8" (OS)

MATERIALS 12"			
REF	ITEM NO.	QTY	DESCRIPTION
4	36-06487 OR 36-06515	1	CAP, 12" MJ, WITH 2" TAP OR CAP, 12" MJ (OS) WITH 2" TAP
5	36-23558 OR 36-23769	1	GLAND, RETAINER, WEDGE TYPE, 12" OR GLAND, RETAINER, WEDGE TYPE, 12" (OS)

1 of 1

Manager, Water & Steam Distribution *Todd Russell*

Date: 2/9/2022

Director of Water Operations *Sanyen Munjarwadi*

Date: 2/10/2022